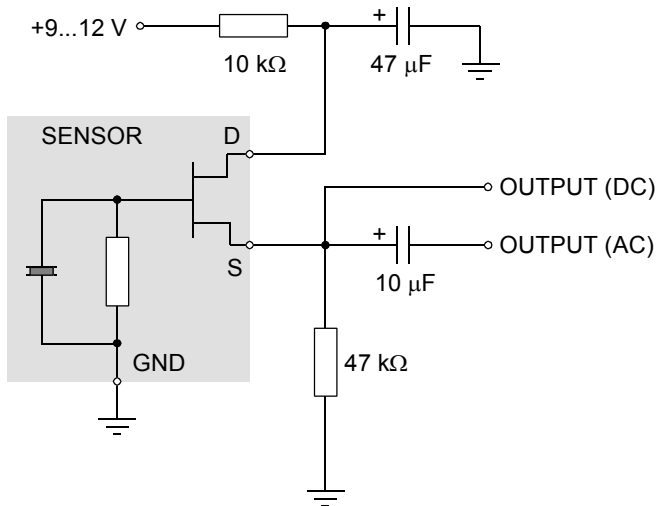


PYROSENS

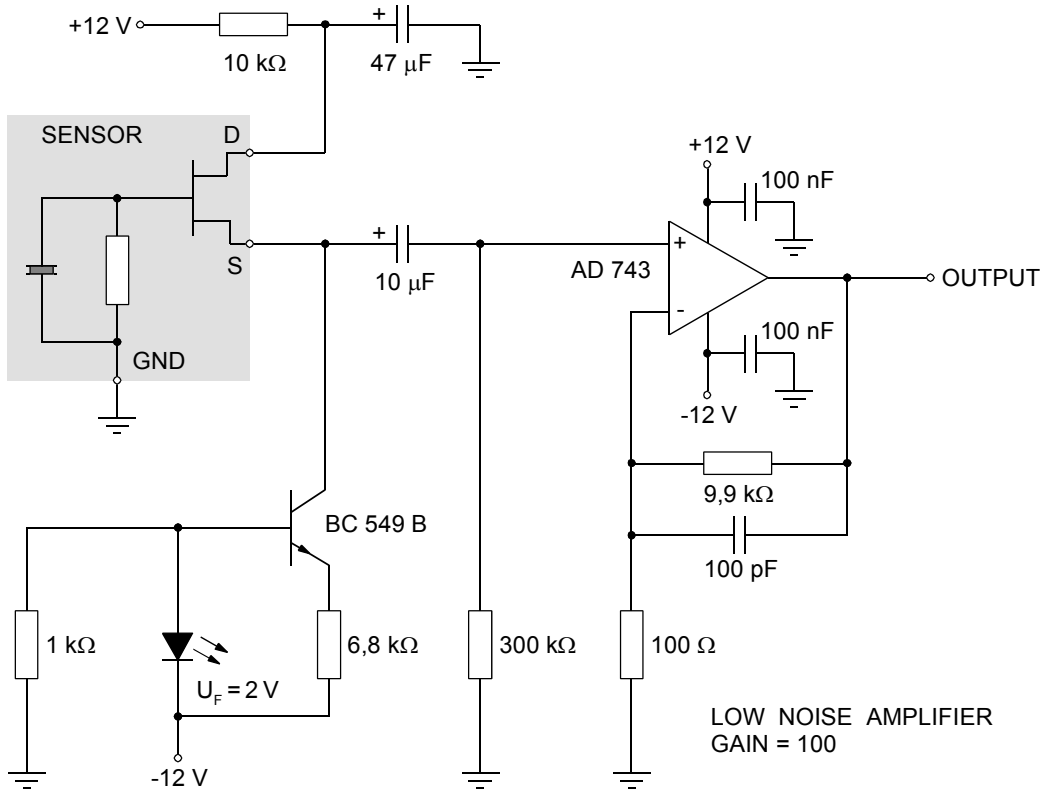
Pyroelectrical infrared detectors – Circuit diagrams

Circuit Diagrams

Detector in voltage mode



Detector in voltage mode with amplifier



Technische Änderungen vorbehalten. Technical details are subject to change. 06.03.14



We are certified for many years according to ISO 9001

Phone: +49 351 896 74-0
Fax: +49 351 896 74-99
E-Mail: info@dias-infrared.de
Internet: www.dias-infrared.com

DIAS Infrared GmbH
Pforzheimer Straße 21
01189 Dresden
Germany