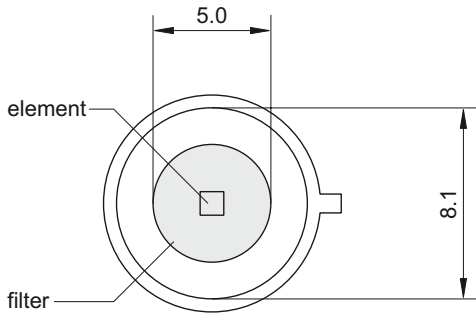
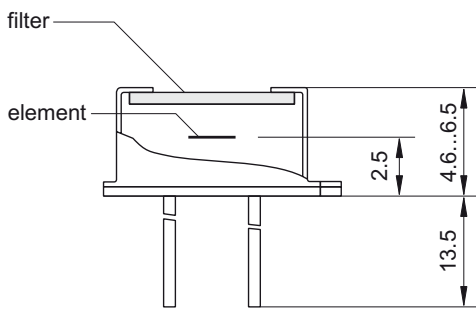
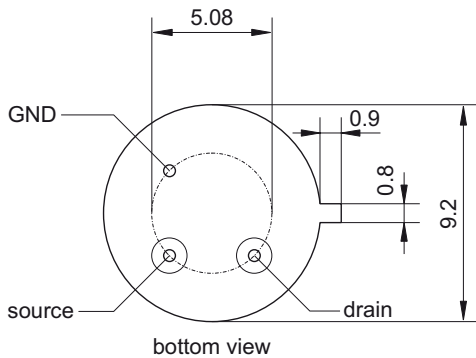


LTSI Q1PC

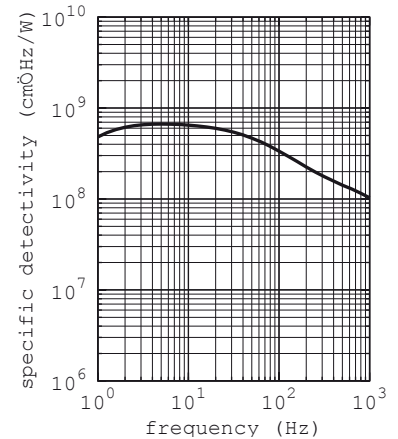
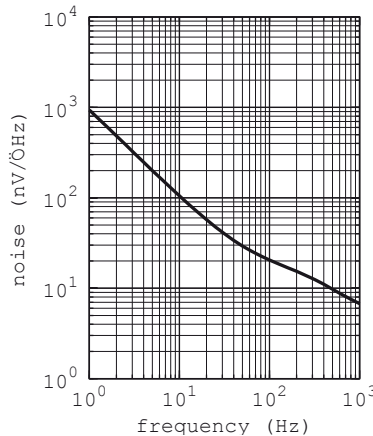
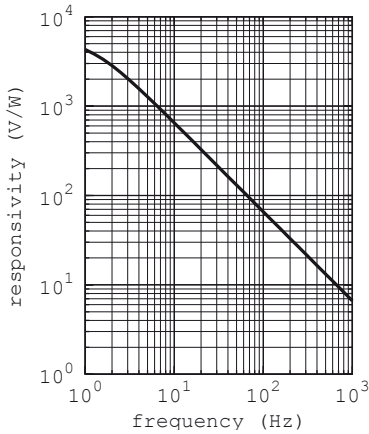
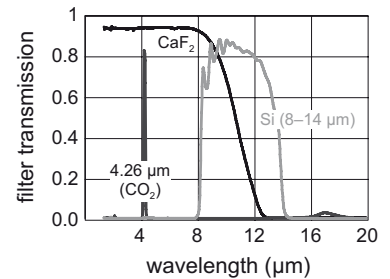
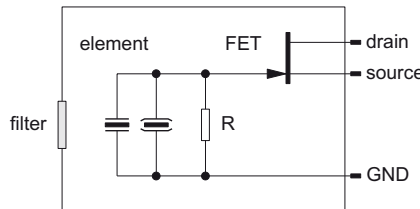
Pyroelectric Single Element Detector for measurement application



Element size	1 mm × 1 mm
Aperture	5.0 mm
Filter¹	custom-designed
Responsivity^{2,3}	> 650 V/W
Noise²	< 105 nV/√Hz
Specific detectivity^{2,3}	6.5·10 ⁸ cm√Hz/W
Thermal compensation	parallel
Offset voltage	0.4 to 1.5 V
Operating voltage	2 V to 18 V
Housing	TO 39
Operating temperature	-20 to 60 °C
Storage temperature	-20 to 60 °C

¹ Other filters on request. ² Frequency: 10 Hz, ambient temperature: 25 °C.

³ Black body source temperature: 500 K, Filter transmission: 100 %.



We are certified for many years according to ISO 9001

Phone: +49 351 896 74-0
 Fax: +49 351 896 74-99
 E-Mail: info@dias-infrared.de
 Web: www.dias-infrared.com

DIAS Infrared GmbH
 Pforzheimer Straße 21
 01189 Dresden
 Germany