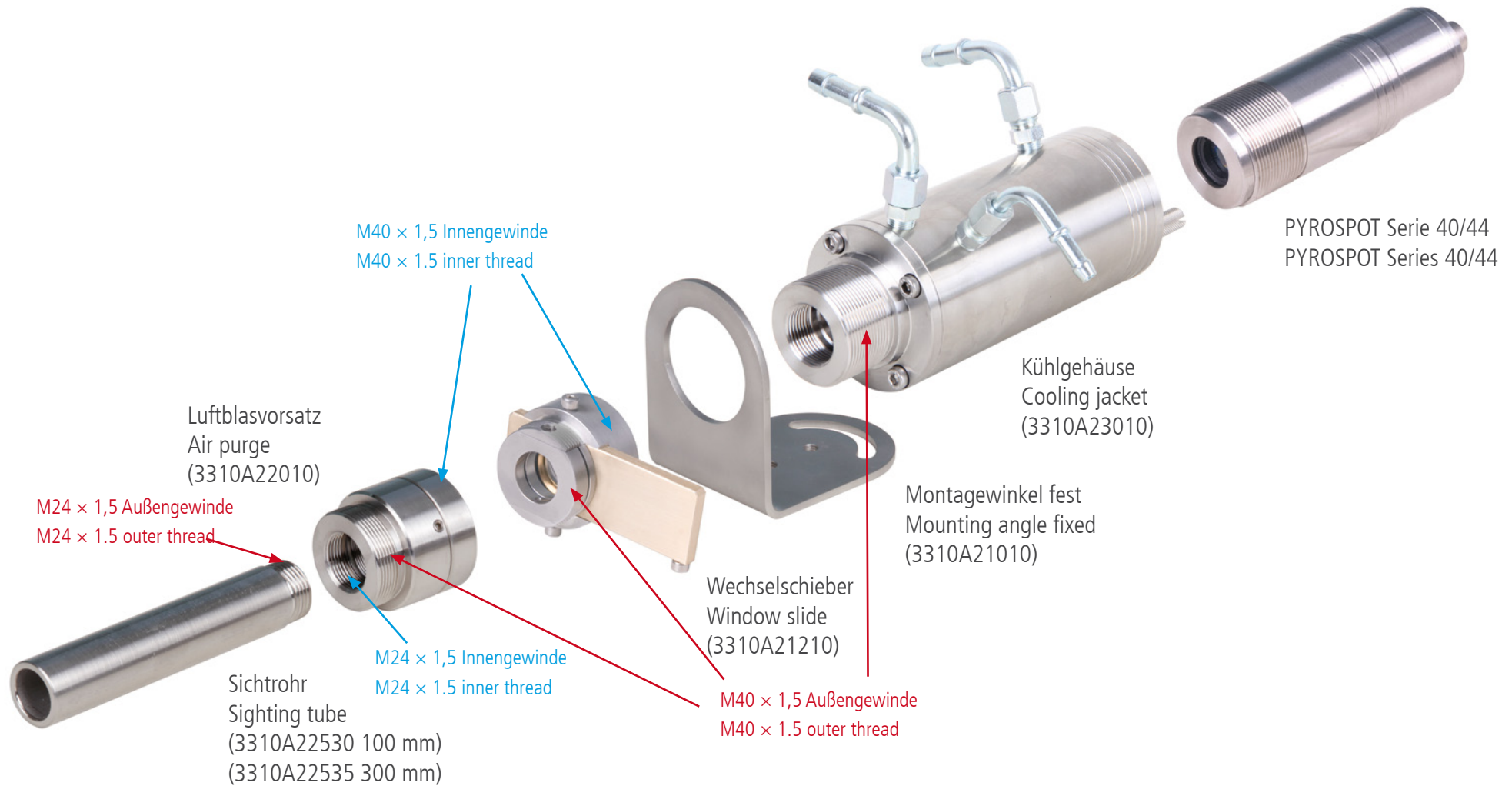
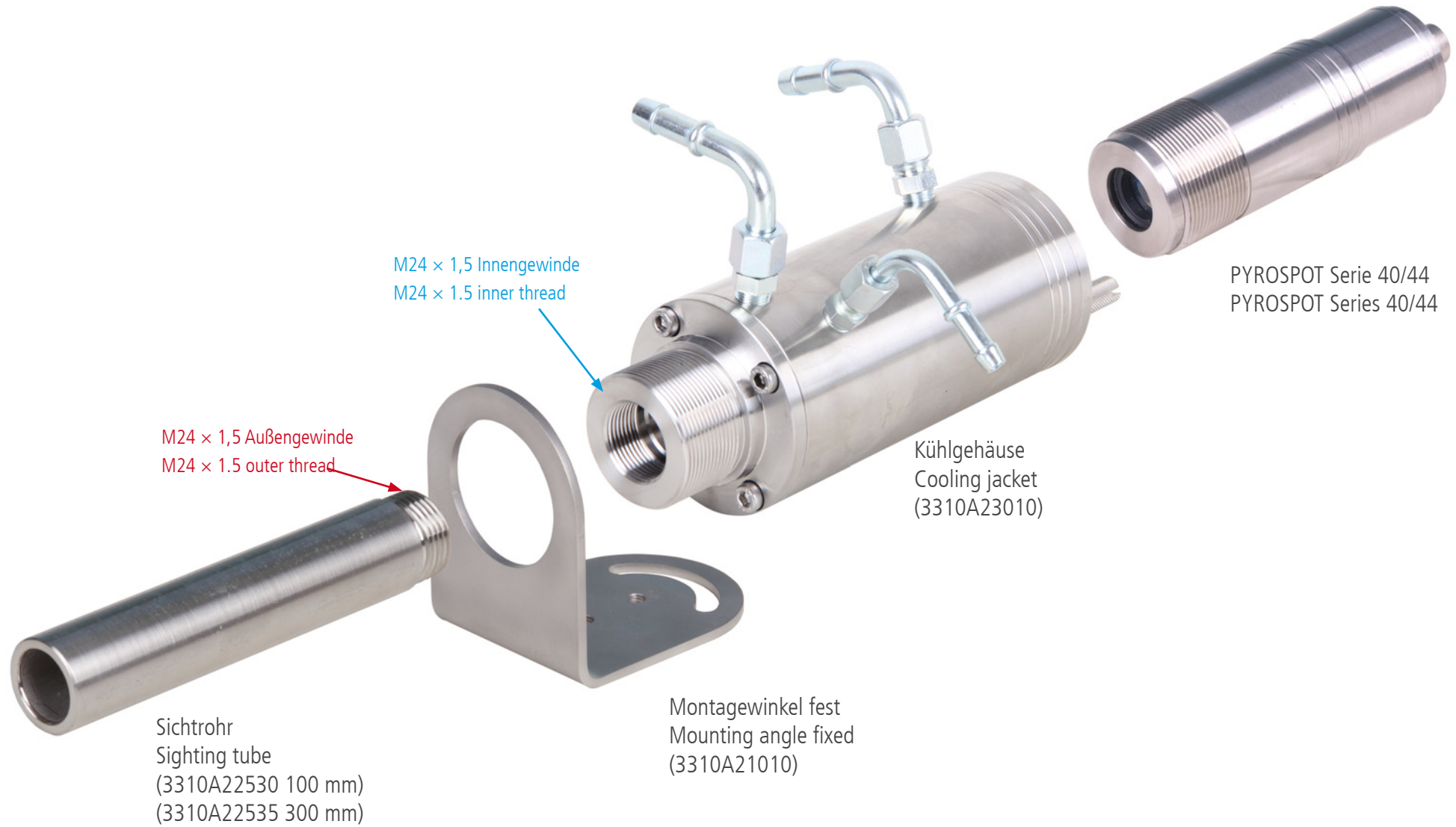


Kombinationsbeispiel PYROSPOT Serie 40/42/44/48
Combination example PYROSPOT Series 40/42/44/48



Kombinationsbeispiel PYROSPOT Serie 40/42/44/48
Combination example PYROSPOT Series 40/42/44/48



M24 × 1,5 Innengewinde
M24 × 1.5 inner thread

M24 × 1,5 Außengewinde
M24 × 1.5 outer thread

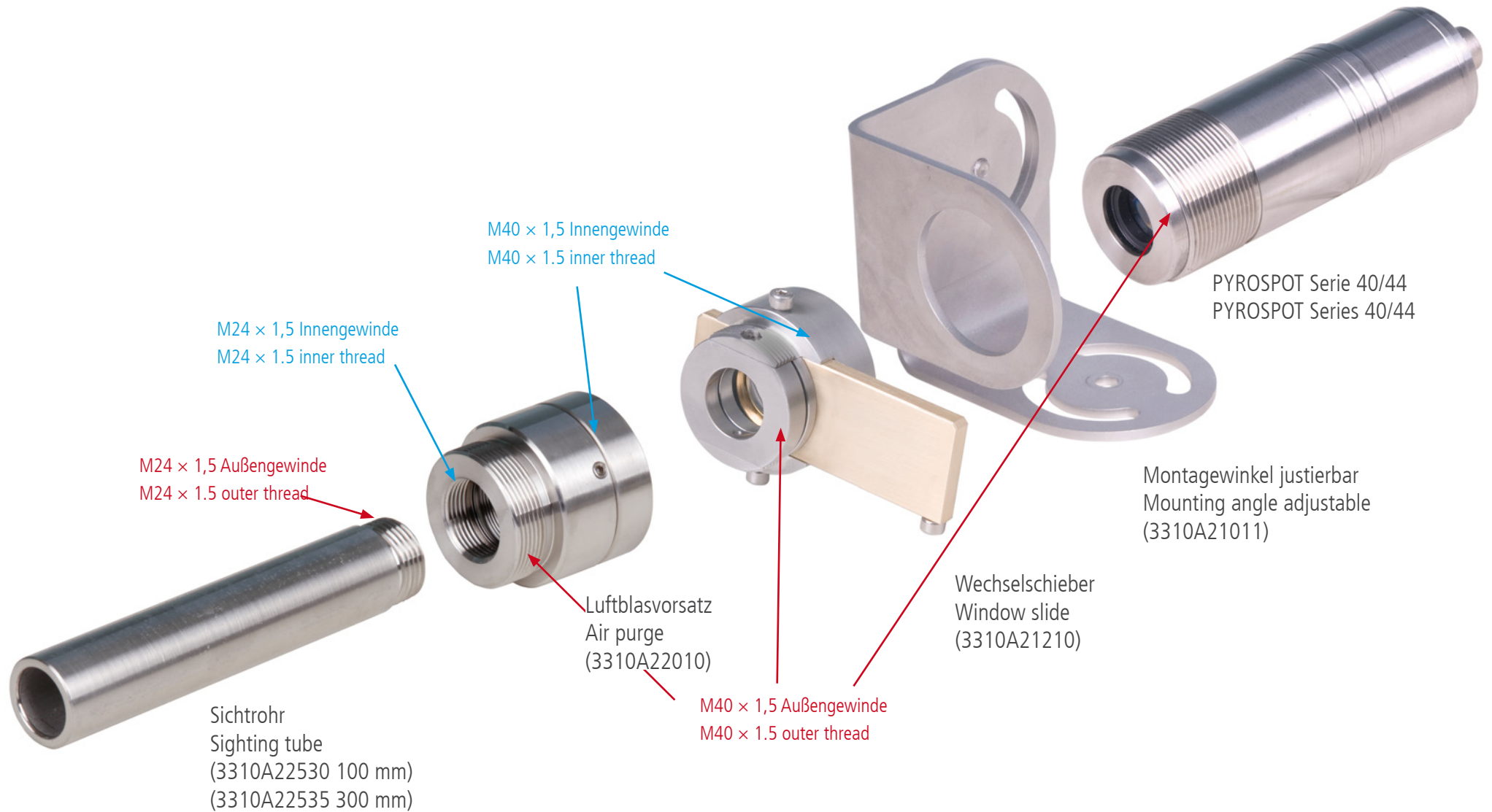
PYROSPOT Serie 40/44
PYROSPOT Series 40/44

Kühlgehäuse
Cooling jacket
(3310A23010)

Sichtrohr
Sighting tube
(3310A22530 100 mm)
(3310A22535 300 mm)

Montagewinkel fest
Mounting angle fixed
(3310A21010)

Kombinationsbeispiel PYROSPOT Serie 40/42/44/48
Combination example PYROSPOT Series 40/42/44/48



Kombinationsbeispiel PYROSPOT Serie 40/42/44/48
Combination example PYROSPOT Series 40/42/44/48

